

# Panasonic

## WhisperGreenSelect™ VENTILATION FAN

FV-05-11VKS1, FV-05-11VK1, FV-11-15VK1



FV-05-11VKSL1, FV-05-11VKL1, FV-11-15VKL1



- Customizable, all-in-one fan and fan/LED light combinations
- Pick-A-Flow speed selector – one fan, you choose the CFM
- Unique Plug 'N Play modules provide up to three value added features
- Revolutionary DC motor with SmartFlow™ technology ensures optimal CFM output
- Replaceable, GU24 base LED lamps provide warm, energy efficient illumination
- Flex-Z Fast™ bracket provides flexible, fast and easy installation
- Can be used to comply with ASHRAE 62.2, LEED, Cal-Green and ENERGY STAR for Homes 3.0

### ADDITIONAL BENEFITS

- Integrated dual 4" or 6" duct adaptor (up to 110 CFM models)
- Built-in metal flange provides blocking for penetrations through drywall as an air barrier, and assists with the decrease in leakage in the building envelope during blower door testing
- Fits in 2 x 8 construction
- Protected by UL Class 2 Power Unit
- UL listed for tub/shower enclosure when used with a GFCI protected circuit
- 6 year warranty on DC motor, 5 years on LED, 3 years on parts



ADJUSTABLE AIRFLOW FOR  
MAXIMUM PERFORMANCE



# ONE FAN – ENDLESS POSSIBILITIES.

## The all-purpose, customizable IAQ solution for virtually any application

WhisperGreen Select™ is a ground-breaking IAQ solution that is revolutionizing the ventilation fan industry with a new set of features that enable customization and easier installation. To the builder and professional installer, Panasonic continues to be the innovation leader with high performance ventilation solutions that are built to last. WhisperGreen Select's unique design and superior energy efficiency are achieved through engineering expertise, provided by a company who sets the standard for quality and value.

## WHISPERGREEN SELECT™ IS AS EASY AS 1-2-3!

### Step 1: Select a Base Fan Model

Select a base model to start building the perfect IAQ solution that satisfies your ventilation design requirements.

Fan	Fan/Light
FV-05-11VKS1: 30 to 110 CFM integrated multi-speed	FV-05-11VKSL: 30 to 110 CFM integrated multi-speed + LED Light
FV-05-11VK1: 50-80-110 CFM single speed	FV-05-11VKL1: 50-80-110 CFM single speed + LED Light
FV-11-15VK1: 110-130-150 CFM single speed	FV-11-15VKL1: 110-130-150 CFM single speed + LED Light

### Pick-A-Flow™ Speed Technology

Built-in Pick-A-Flow™ speed selector – one fan, you choose the CFM. Provides the unique ability to select your required airflow (50-80-110 and 110-130-150 CFM models) with the simple flip of a switch.

### Step 2: Select Value Added Features\*

WhisperGreen Select™ offers a unique set of Four\* patented modules that allow you to further customize your fan:



**Multi-Speed with Time Delay** (FV-VS15VK1) – Allows you to select the proper CFM settings to satisfy ASHRAE 62.2 continuous ventilation requirements. The fan runs continuously at a pre-set lower level, then elevates to a maximum level of operation when the wall switch is turned on, or when the SmartAction® motion sensor or condensation sensor module is activated. A high/Low delay timer returns the fan to the pre-set CFM level after a period of time set by the user.



**Condensation Sensor** (FV-CSVK1) – Helps control bathroom condensation to prevent mold and mildew. Advanced sensor technology detects relative humidity and temperature to anticipate dew point, automatically turning the fan on to control humidity. Built-in Relative Humidity(RH) sensitivity adjustment enables fine tuning for moist conditions and for satisfying CalGreen requirements. When the condensation sensor is used in conjunction with multi-speed functionality, the fan will kick up to high speed when the condensation sensor detects moisture in the room. This module also activates an automatic 20 minute delay off timer for the fan.



**NiteGlow™ LED Night Light** (FV-NLVK1) – A specialized photocell feature automatically turns on the 1 watt LED night light when darkness is sensed in the room. Hi/Low brightness switch enables you to fine tune the photo cell to work in conjunction with the darkness level of your bathroom. This module also activates an automatic 20 minute delay off timer for the fan.



**SmartAction® Motion Sensor** (FV-MSVK1) – Automatically activates when someone enters the room. Once the settings have been applied, the fan becomes truly automatic, making it ideal for people with disabilities and assisted living environments such as nursing homes and retirement communities. This module also activates an automatic 20 minute delay off timer for the fan.

\*Select up to 3 value added features.

### Step 3: Install Your Ideal Fan with the New! Flex-Z Fast™ Installation System



Fold up articulating joints to easily position bracket in between the joist and/or through ceiling hole.



Fold articulating joints back down in preparation for installation

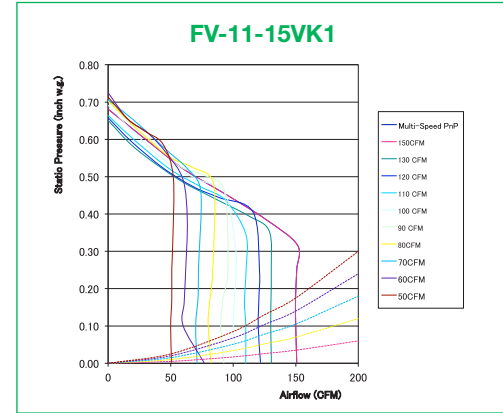
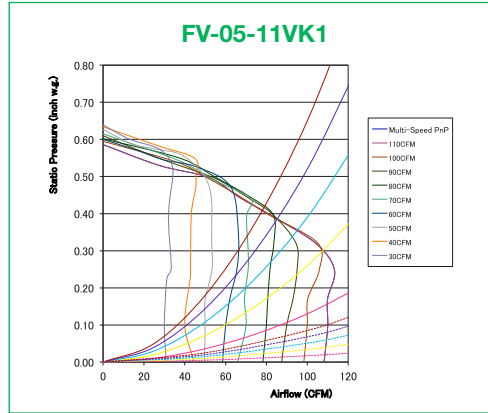


Extend bracket to desired length.

Ingeniously designed installation bracket provides flexible, fast and easy installation for all your new construction or renovation projects.

### Installed Performance and Quiet Operation at .25" w.g. Static Pressure

ASHRAE, ENERGY STAR®, LEED for Homes, and HVI have set the industry standard for performance measurement at 0.25" w.g. The WhisperGreen Select™ fans not only provide powerful CFM output at 0.25" w.g., but our sones have also been certified at 0.25" w.g. so they are quiet under pressure and after installation.



SPECIFICATIONS		WhisperGreen Select (Fan Only Models)											
		Base Fan											
		FV-05-11VK1						FV-11-15VK1					
		0.1	0.25	0.1	0.25	0.1	0.25	0.1	0.25	0.1	0.25	0.1	0.25
Characteristics (HVI tested data for 0.1" S.P.)	Static Pressure in inches w.g.	0.1	0.25	0.1	0.25	0.1	0.25	0.1	0.25	0.1	0.25	0.1	0.25
	Air Volume (CFM)	110	113	80	82	50	53	150	151	130	130	110	110
	Noise (sones)	<0.3	0.8	<0.3	0.4	<0.3	0.3	<0.3	0.7	<0.3	0.5	<0.3	<0.3
	Power Consumption (watts)	9.8	16.1	5.5	10.2	3.5	7.0	13.0	22.0	10.0	17.0	7.0	13.5
	Energy Efficiency (CFM/Watt)	11.5	7.2	15.3	8.4	15.1	8.1	11.5	6.8	13.1	7.8	15.7	8.2
	Speed (RPM)	931	1205	814	1131	747	1072	664	904	635	891	616	889
	Current (amps)	0.10	0.16	0.06	0.10	0.04	0.07	0.13	0.21	0.10	0.17	0.07	0.13
	MAX. Current(amps)	0.27						0.33					
	Power Rating (V/Hz)	120/60						120/60					
Specifications	Motor Type	DC						DC					
	Type of Motor Bearing	Ball						Ball					
	Thermal Fuse Protection	Yes						Yes					
	Blower Wheel Type	Sirocco						Sirocco					
	ENERGY STAR Qualified	Yes						Yes					
Installation	Duct Diameter (Inches)	4 & 6						6					
	Mounting Opening (Inches sq.)	10-1/2						10-1/2					
	Grille Size (Inches sq.)	13						13					
Light Specifications	Lamp Watts	N/A						N/A					
	Lumens (lm)	N/A						N/A					
	Lumens Per Watt (LPW)	N/A						N/A					
	Color Rendering Index	N/A						N/A					
	Color Temperature (Kelvin)	N/A						N/A					
	Rated Life (hours)	N/A						N/A					
	Lamp Model #	N/A						N/A					
Night Light Specs	Night Light Watts	N/A*						N/A*					
Shipping	Gross Weight (lbs)	11.90						13.45					
Approved Code/Standard/ Regulation	UL tub/Shower Enclosure	Yes						Yes					
	Washington VIAQ Code	Yes						Yes					
	California Title 24 Compliant	Yes						Yes					
	Mfg in ISO 9001 Certified Facility	Yes						Yes					

SPECIFICATIONS		WhisperGreen											
		Base Fan with											
		FV-11-15VK1											
		0.1	0.25	0.1	0.25	0.1	0.25	0.1	0.25	0.1	0.25	0.1	0.25
Characteristics (HVI tested data for 0.1" S.P.)	Static Pressure in inches w.g.	0.1	0.25	0.1	0.25	0.1	0.25	0.1	0.25	0.1	0.25	0.1	0.25
	Air Volume (CFM)	110	113	100	106	90	95	80	82	110	113	100	106
	Noise (sones)	<0.3	0.8	<0.3	0.7	<0.3	0.6	<0.3	0.4	<0.3	0.5	<0.3	<0.3
	Power Consumption (watts)	9.8	16.1	8.0	14.0	6.5	11.7	5.5	10.2	9.8	16.1	8.0	14.0
	Energy Efficiency (CFM/Watt)	11.5	7.2	13.0	7.9	14.5	8.5	15.3	8.4	11.5	7.2	13.0	7.9
	Speed (RPM)	931	1205	895	1179	852	1146	814	1131	931	1205	895	1179
	Current (amps)	0.10	0.16	0.09	0.14	0.07	0.12	0.06	0.10	0.10	0.16	0.09	0.14
	MAX. Current(amps)	0.27						0.33					
	Power Rating (V/Hz)	120/60						120/60					
Specifications	Motor Type	DC						DC					
	Type of Motor Bearing	Ball						Ball					
	Thermal Fuse Protection	Yes						Yes					
	Blower Wheel Type	Sirocco						Sirocco					
	ENERGY STAR Qualified	Yes						Yes					
Installation	Duct Diameter (Inches)	4 & 6						6					
	Mounting Opening (Inches sq.)	10-1/2						10-1/2					
	Grille Size (Inches sq.)	13						13					
Light Specifications	Lamp Watts	N/A						N/A					
	Lumens (lm)	N/A						N/A					
	Lumens Per Watt (LPW)	N/A						N/A					
	Color Rendering Index	N/A						N/A					
	Color Temperature (Kelvin)	N/A						N/A					
	Rated Life (hours)	N/A						N/A					
	Lamp Model #	N/A						N/A					
Night Light Specs	Night Light Watts	N/A*						N/A*					
Shipping	Gross Weight (lbs)	11.90						13.45					
Approved Code/Standard/ Regulation	UL tub/Shower Enclosure	Yes						Yes					
	Washington VIAQ Code	Yes						Yes					
	California Title 24 Compliant	Yes						Yes					
	Mfg in ISO 9001 Certified Facility	Yes						Yes					

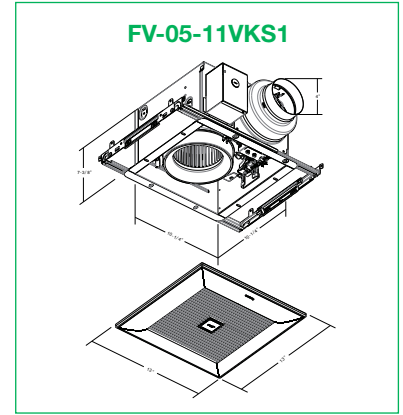
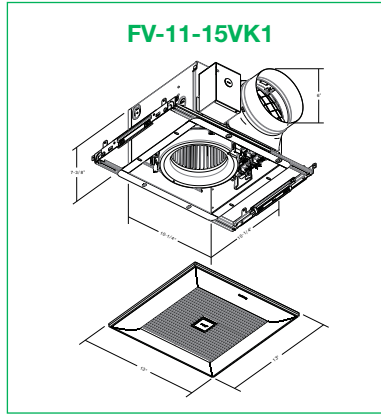
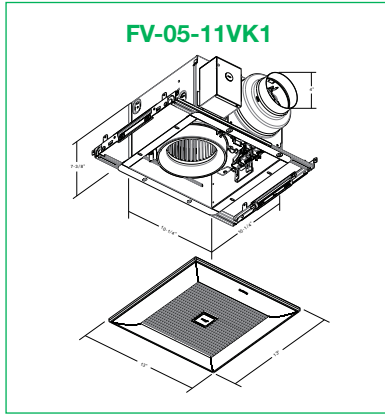
\*Light specs may change. \*\*Night Glo™ LED Night Light module is available.  
**NOTE: 0.25" w.g. = Installed Performance**



## DC Motor with SmartFlow™ Technology

WhisperGreen Select™ features the same revolutionary DC motor that comes with our WhisperGreen line of products. With built-in SmartFlow™ technology, WhisperGreen Select™ is designed to perform as rated. When the fan senses static pressure, its speed is automatically increased to ensure optimal CFM output. This feature provides peace of mind, as the installer doesn't have to worry about compromising the fan's performance.

# WhisperGreen Select Ventilation Fans



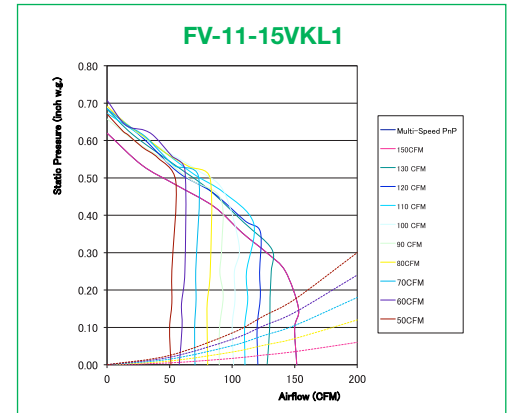
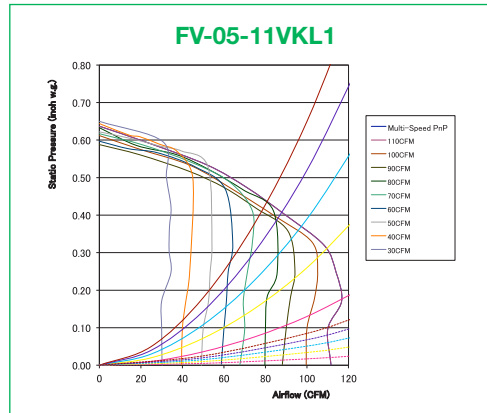
Select (Fan Only Models)									
Integrated Multi-Speed									
FV-05-11VKS1									
0.1	0.25	0.1	0.25	0.1	0.25	0.1	0.25	0.1	0.25
70	71	60	66	50	53	40	43	30	33
<0.3	0.4	<0.3	0.3	<0.3	0.3	<0.3	<0.3	<0.3	<0.3
4.3	8.6	3.6	7.8	3.5	7.0	2.7	5.7	2.4	5.0
17.2	8.7	17.5	8.8	15.1	8.1	16.3	8.2	14.2	7.6
772	1112	750	1107	747	1072	731	1073	718	1062
0.05	0.09	0.04	0.08	0.04	0.07	0.08	0.06	0.03	0.06
0.27									
120/60									
DC									
Ball									
Yes									
Sirocco									
Yes									
4 & 6									
10-1/2									
13									
N/A									
N/A									
N/A									
N/A									
N/A									
N/A									
N/A									
N/A									
N/A									
N/A*									
11.90									
Yes									
Yes									
Yes									
Yes									

WhisperGreen Select (Fan Only Models)																					
Base Fan with Multi-Speed Plug 'N Play Module																					
FV-11-15VK1 + FV-VS15VK1																					
0.1	0.25	0.1	0.25	0.1	0.25	0.1	0.25	0.1	0.25	0.1	0.25	0.1	0.25	0.1	0.25	0.1	0.25	0.1	0.25	0.1	0.25
150	151	130	130	120	121	110	110	100	102	90	96	80	84	70	72	60	62	50	51		
<0.3	0.7	<0.3	0.5	<0.3	0.4	<0.3	<0.3	<0.3	<0.3	<0.3	<0.3	<0.3	<0.3	0.4	<0.3	0.4	<0.3	0.4	<0.3	0.4	<0.3
13.0	22.0	10.0	17.0	7.4	14.1	7.0	13.5	5.6	11.3	4.9	10.7	4.4	9.6	3.8	8.6	3.6	7.7	3.1	6.8		
11.5	6.8	13.1	7.8	16.2	8.6	15.7	8.2	17.9	9.0	18.6	9.0	18.2	8.8	18.4	8.4	16.7	8.1	16.1	7.5		
664	904	635	891	615	884	616	889	603	886	595	891	604	911	602	918	622	919	616	928		
0.13	0.21	0.10	0.17	0.08	0.14	0.07	0.13	0.06	0.11	0.06	0.11	0.05	0.10	0.05	0.09	0.04	0.08	0.04	0.07		
0.33																					
120/60																					
DC																					
Ball																					
Yes																					
Sirocco																					
Yes																					
6																					
10-1/2																					
13																					
N/A																					
N/A																					
N/A																					
N/A																					
N/A																					
N/A																					
N/A																					
N/A																					
N/A*																					
13.45																					
Yes																					
Yes																					
Yes																					
Yes																					



## LED Lighting

WhisperGreen Select™ fan/light models feature a contemporary flush mount grille that incorporates Two replaceable, ENERGY STAR rated, 7W GU24 base LED lamps. Panasonic's advanced LED technology lasts 4 times longer than compact fluorescent lamps and does not contribute to mercury waste when disposed.



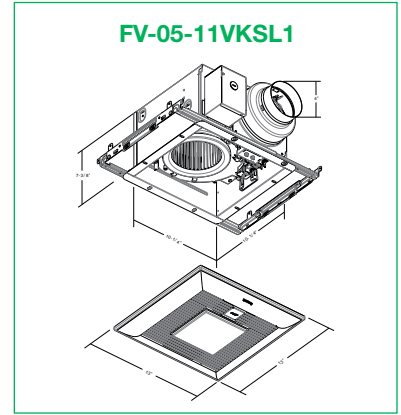
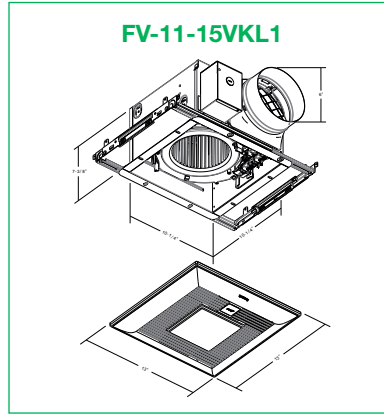
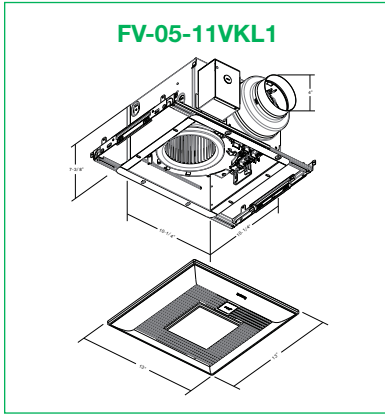
## WhisperGreen Select (Fan/LED Light Models)

SPECIFICATIONS		Base Fan with LED Light											
		FV-05-11VKL1						FV-11-15VKL1					
		0.1	0.25	0.1	0.25	0.1	0.25	0.1	0.25	0.1	0.25	0.1	0.25
Characteristics (HVI tested data for 0.1" S.P.)	Static Pressure in inches w.g.	0.1	0.25	0.1	0.25	0.1	0.25	0.1	0.25	0.1	0.25	0.1	0.25
	Air Volume (CFM)	110	114	80	86	50	53	150	143	130	131	110	111
	Noise (sones)	0.4	0.9	<0.3	0.6	<0.3	<0.3	0.6	0.9	<0.3	0.8	<0.3	0.6
	Power Consumption (watts)	11.1	18.0	6.0	11.1	4.0	7.0	16.5	24.0	12.0	21.0	8.5	16.0
	Energy Efficiency (CFM/Watt)	9.9	6.3	13.3	7.7	12.8	7.7	9.2	6.0	10.9	6.3	13.1	7.1
	Speed (RPM)	960	1237	837	1157	740	1081	730	941	679	926	652	914
	Current (amps)	0.12	0.17	0.07	0.12	0.04	0.07	0.16	0.22	0.12	0.19	0.08	0.15
	MAX. Current(amps)	0.42						0.48					
	Power Rating (V/Hz)	120/60						120/60					
Specifications	Motor Type	DC						DC					
	Type of Motor Bearing	Ball						Ball					
	Thermal Fuse Protection	Yes						Yes					
	Blower Wheel Type	Sirocco						Sirocco					
	ENERGY STAR Qualified	Yes						Yes					
Installation	Duct Diameter (Inches)	4 & 6						6					
	Mounting Opening (Inches sq.)	10-1/2						10-1/2					
	Grille Size (Inches sq.)	13						13					
Light Specifications	Lamp Watts	2 x 7W						2 x 7W					
	Lumens (lm)	550lm per lamp*						550lm per lamp*					
	Lumens Per Watt (LPW)	80LPW*						80LPW*					
	Color Rendering Index	>80						>80					
	Color Temperature (Kelvin)	3000K						3000K					
	Rated Life (hours)	40,000						40,000					
	Lamp Model #	LPHT7						LPHT7					
Type of Lamp Socket	GU24						GU24						
Night Light Specs	Night Light Watts	N/A**						N/A**					
Shipping	Gross Weight (lbs)	14.55						14.77					
Approved Code/Standard/ Regulation	UL tub/Shower Enclosure	Yes						Yes					
	Washington VIAQ Code	Yes						Yes					
	California Title 24 Compliant	Yes						Yes					
	Mfg in ISO 9001 Certified Facility	Yes						Yes					

## WhisperGreen Select

SPECIFICATIONS		Base Fan with LED Light											
		FV-05-11VKL1						FV-11-15VKL1					
		0.1	0.25	0.1	0.25	0.1	0.25	0.1	0.25	0.1	0.25	0.1	0.25
Characteristics (HVI tested data for 0.1" S.P.)	Static Pressure in inches w.g.	0.1	0.25	0.1	0.25	0.1	0.25	0.1	0.25	0.1	0.25	0.1	0.25
	Air Volume (CFM)	110	114	100	105	90	94	80	86	110	114	100	105
	Noise (sones)	0.4	0.9	<0.3	0.8	<0.3	0.6	<0.3	0.6	<0.3	0.6	<0.3	0.6
	Power Consumption (watts)	11.1	18.0	8.7	15.0	7.0	12.8	6.0	11.1	11.1	18.0	8.7	15.0
	Energy Efficiency (CFM/Watt)	9.9	6.3	11.6	7.1	13.1	7.5	13.3	7.7	9.9	6.3	11.6	7.1
	Speed (RPM)	960	1237	926	1213	872	1184	837	1157	960	1237	926	1213
	Current (amps)	0.12	0.17	0.09	0.15	0.08	0.13	0.07	0.12	0.12	0.17	0.09	0.15
	MAX. Current(amps)	0.42						0.48					
	Power Rating (V/Hz)	120/60						120/60					
Specifications	Motor Type	DC						DC					
	Type of Motor Bearing	Ball						Ball					
	Thermal Fuse Protection	Yes						Yes					
	Blower Wheel Type	Sirocco						Sirocco					
	ENERGY STAR Qualified	Yes						Yes					
Installation	Duct Diameter (Inches)	4 & 6						6					
	Mounting Opening (Inches sq.)	10-1/2						10-1/2					
	Grille Size (Inches sq.)	13						13					
Light Specifications	Lamp Watts	2 x 7W						2 x 7W					
	Lumens (lm)	550lm per lamp*						550lm per lamp*					
	Lumens Per Watt (LPW)	80LPW*						80LPW*					
	Color Rendering Index	>80						>80					
	Color Temperature (Kelvin)	3000K						3000K					
	Rated Life (hours)	40,000						40,000					
	Lamp Model #	LPHT7						LPHT7					
Type of Lamp Socket	GU24						GU24						
Night Light Specs	Night Light Watts	N/A**						N/A**					
Shipping	Gross Weight (lbs)	14.55						14.77					
Approved Code/Standard/ Regulation	UL tub/Shower Enclosure	Yes						Yes					
	Washington VIAQ Code	Yes						Yes					
	California Title 24 Compliant	Yes						Yes					
	Mfg in ISO 9001 Certified Facility	Yes						Yes					

\*Light specs may change. \*\*Night Glo™ LED Night Light module is available.  
NOTE: 0.25" w.g. = Installed Performance



Fan/LED Light Models and Integrated Multi-Speed										
FV-05-11VKSL1										
0.1	0.25	0.1	0.25	0.1	0.25	0.1	0.25	0.1	0.25	0.1
70	71	60	62	50	53	40	43	30	35	
<0.3	0.4	<0.3	0.3	<0.3	<0.3	<0.3	<0.3	<0.3	<0.3	<0.3
4.7	8.9	3.9	7.6	4.0	7.0	2.8	5.7	2.5	5.0	
15.3	8.2	15.9	8.4	12.8	7.7	14.6	7.7	12.8	7.4	
796	1119	769	1102	740	1081	739	1077	731	1058	
0.05	0.09	0.05	0.08	0.04	0.07	0.04	0.06	0.03	0.06	
0.42										
120/60										
DC										
Ball										
Yes										
Sirocco										
Yes										
4 & 6										
10-1/2										
13										
2 x 7W										
550lm per lamp*										
80LPW*										
>80										
3000K										
40,000										
LPHT7										
GU24										
N/A**										
14.33										
Yes										
Yes										
Yes										
Yes										

WhisperGreen Select (Fan/LED Light Models)																					
Base Fan with LED Light and Multi-Speed Plug 'N Play Module																					
FV-11-15VKL1 + FV-VS15VK1																					
0.1	0.25	0.1	0.25	0.1	0.25	0.1	0.25	0.1	0.25	0.1	0.25	0.1	0.25	0.1	0.25	0.1	0.25	0.1	0.25	0.1	0.25
150	143	130	131	120	122	110	111	100	102	90	90	80	82	70	71	60	62	50	52		
0.6	0.9	<0.3	0.8	<0.3	0.6	<0.3	0.6	<0.3	0.5	<0.3	0.4	<0.3	0.4	<0.3	0.3	<0.3	0.3	<0.3	0.3	<0.3	0.4
16.5	24.0	12.0	21.0	9.5	16.9	8.5	16.0	6.9	13.5	5.7	11.6	5.0	10.4	4.3	8.8	4.0	7.9	3.2	7.2		
9.2	6.0	10.9	6.3	12.8	7.3	13.1	7.1	14.8	7.7	16.0	7.8	16.0	7.9	16.3	8.1	15.5	8.1	16.3	7.5		
730	941	679	926	669	917	652	914	644	923	631	917	633	918	624	904	634	910	607	928		
0.16	0.22	0.12	0.19	0.10	0.17	0.08	0.15	0.07	0.14	0.06	0.12	0.06	0.11	0.05	0.09	0.05	0.08	0.04	0.08		
0.48																					
120/60																					
DC																					
Ball																					
Yes																					
Sirocco																					
Yes																					
6																					
10-1/2																					
13																					
2 x 7W																					
550lm per lamp*																					
80LPW*																					
>80																					
3000K																					
40,000																					
LPHT7																					
GU24																					
N/A**																					
14.77																					
Yes																					
Yes																					
Yes																					
Yes																					



**Panasonic Eco Solutions of North America**  
**Eco Products Division**  
 Two Riverfront Plaza  
 Newark, NJ 07102  
[us.panasonic.com/ventfans](http://us.panasonic.com/ventfans)

**For Order Information**  
 PHONE: 866-292-7299  
 FAX: 888-553-0723  
[ventfans@us.panasonic.com](mailto:ventfans@us.panasonic.com)